

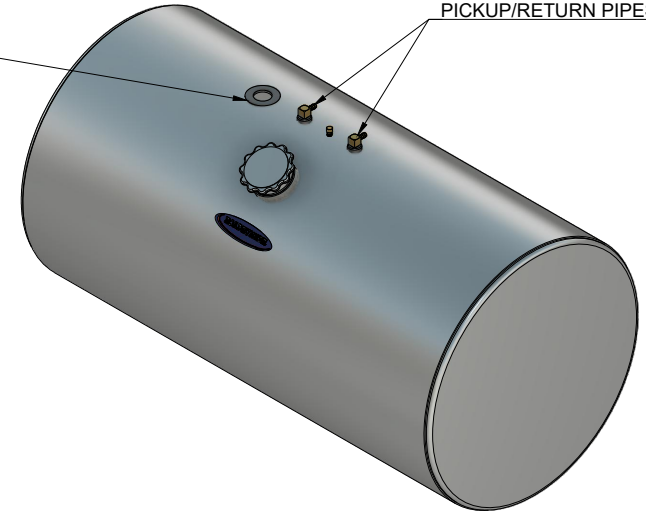
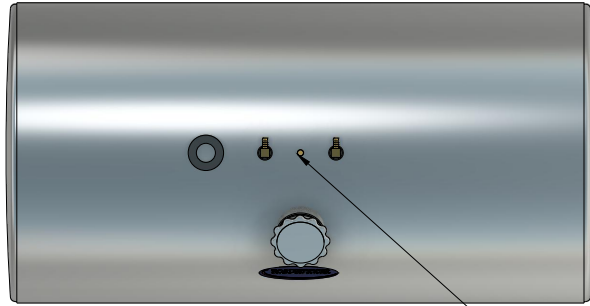
DIRECTORY:

ISSUE	DETAILS	DATE
A	TO BE APPROVED FOR MANUFACTURE	

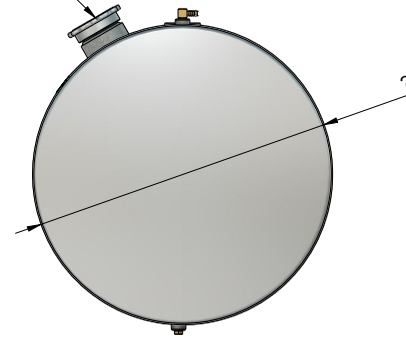
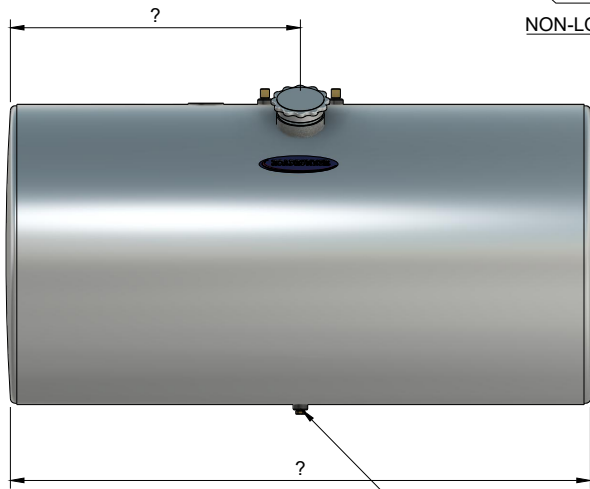
FITTING POSITIONS SHOWN ARE STANDARD. PLEASE INDICATE WITH DIMENSIONS IF REQUIRED IN A DIFFERENT LOCATION. TANK SHOWN IS SUITABLE FOR SCREW TYPE SENDER (WITH PICKUP / RETURN PIPES SEPARATE FROM THE SENDER UNIT).

SENDER UNIT MOUNTING PLATE
Plate is supplied blank and will need to be drilled and tapped by customer unless sender is supplied for fitment

PICKUP/RETURN PIPES



BRASS FUEL TANK BREATHER
NON-LOCKING ROADRUNNER FUEL CAP



3/8" BSP DRAIN AND BUNG

TANK DIAMETER	
Ø 380	
Ø 460	
Ø 570	
Ø 635	
Ø 660	
Ø 710	

THIS DRAWING AND/OR ELECTRONIC MEDIA CONTAINING THIS DRAWING REMAIN THE PROPERTY OF ROADRUNNER MANUFACTURING LTD. IT MAY NOT BE COPIED OR USED IN ANY UNORTHERRISED MANNER

ROADRUNNER
ROADRUNNER MANUFACTURING (NZ) LIMITED



CLIENT:

TITLE: Round Fuel Tank Specs - Screw Type Sender Top Mount

DATE:

SCALE:
1:16

DRAWN BY:
Steve Tunnicliffe

PRODUCT CODE:

JOB NUMBER

SHEET:

1/1

ISSUE: